

Parts and Accessories.

Installation instructions.



John Cooper Works Sport Interior

MINI ONE (R50)

MINI COOPER (R50)

MINI COOPER S (R53)

MINI Convertible (R52)

Retrofit kit No.: Refer to EPC

Installation time according to TIS.

Important information

These installation instructions are mainly intended for use in the MINI dealership network as well as by authorised BMW Service Centres.

The target group of these installation instructions are technical personnel trained on MINI vehicles with corresponding technical know-how.

All work is to be carried out with the aid of currently valid MINI repair instructions, schematic circuit diagrams, maintenance manuals and working instructions in rational order with the specified tools (special tools) while paying particular attention to valid safety regulations.

Should you encounter any problems during the installation procedure or operation, after briefly performing troubleshooting (about half an hour) contact one of the following in order to avoid unnecessary work and costs:

- 1. Either your national subsidiary or your regional office or**
- 2. the Support through the Aftersales Assistance Portal (ASAP) using the optional "Technical Support" application.**

Please quote the vehicle identification number as well as the part number of the installed retrofit kit and a detailed description of the problem.

All illustrations show LHD vehicles. Carry out the same procedure analogously on RHD vehicles.

Pictographs:



identifies information that draws attention to danger/hazards.



identifies information that draws attention to specific requirements.

◀ identifies the end of an information or warning text.

For key to pictographs, see EBA-CD or Aftersales Portal.

Do not archive the printout of these installation instructions as they are updated daily via the Aftersales Portal!

Subject to technical modifications.

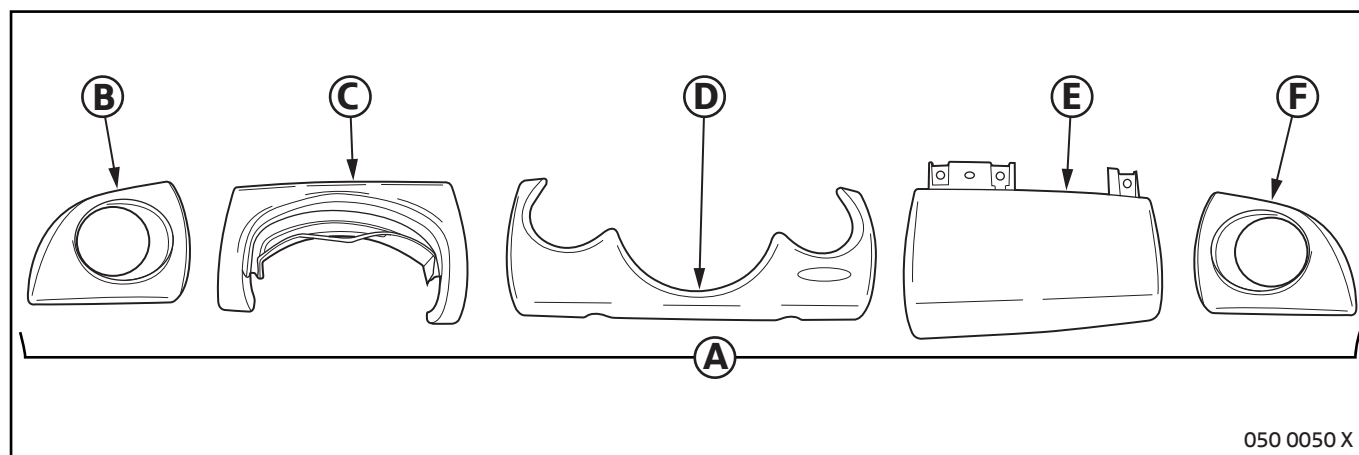
Required special tools

None

Contents

Section	Page
1. Carbon interior	
1.1 Carbon instrument panel, vehicles before 07/04	3
1.2 Carbon instrument panel, vehicles from 07/04.....	4
1.3 Carbon downtubes	5
1.4 Carbon trim rings.....	6
2. Leather interior	
2.1 Leather instrument panel, vehicles from 07/04	7
2.2 Leather downtubes.....	8
2.3 Leather trim rings	9

1.1 Carbon instrument panel, vehicles before 07/04



MINI retrofit kit - Carbon trim for instrument panel, vehicles before 07/04

Part number:

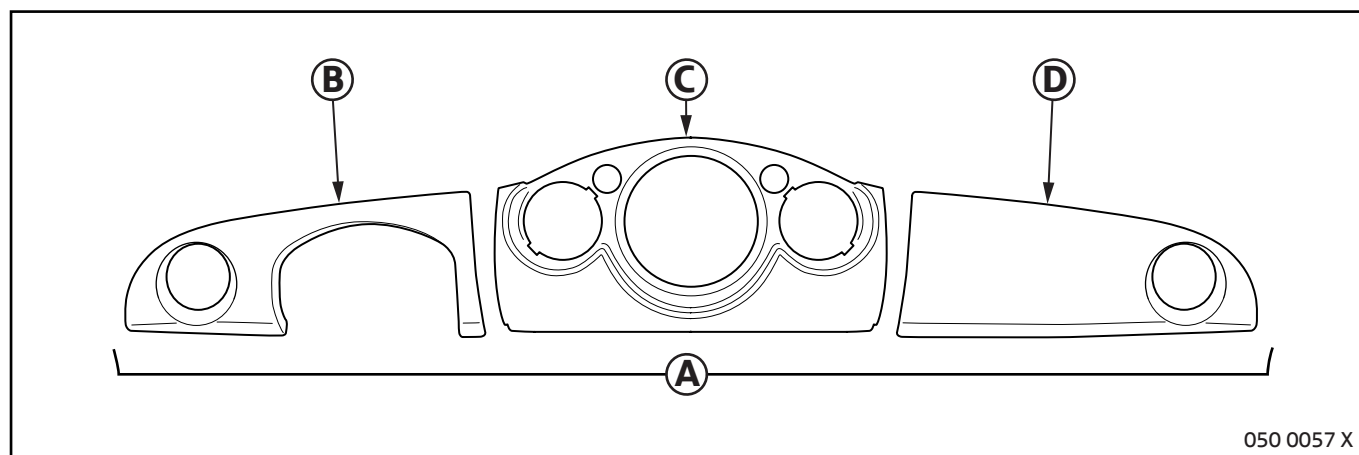
	Left-hand drive	Right-hand drive
A	51 45 0 305 524	51 45 0 300 917
B	51 45 0 305 526	51 45 0 305 526
C	51 45 0 305 527	51 45 0 406 294
D	51 45 0 305 528	51 45 0 406 295
E	51 45 0 305 529	51 45 0 406 296
F	51 45 0 305 530	51 45 0 305 530

Installation time according to TIS.

Preparatory work

	TIS No.
Remove instrument on steering column	62 11 400
Remove storage compartment in instrument panel trim (passenger's side)	51 16 390
Remove upper section of instrument panel trim	51 45 050
Remove airbag cover on passenger's side	51 45 055
Remove trim cover on driver's side	--
Remove trim cover for instrument panel (driver's side)	51 45 066
Remove trim cover for instrument panel (passenger's side)	51 45 068
Remove trim cover for instrument panel (centre)	51 45 060

1.2 Carbon instrument panel, vehicles from 07/04



MINI retrofit kit - Carbon trim for instrument panel, vehicles from 07/04

Part number:

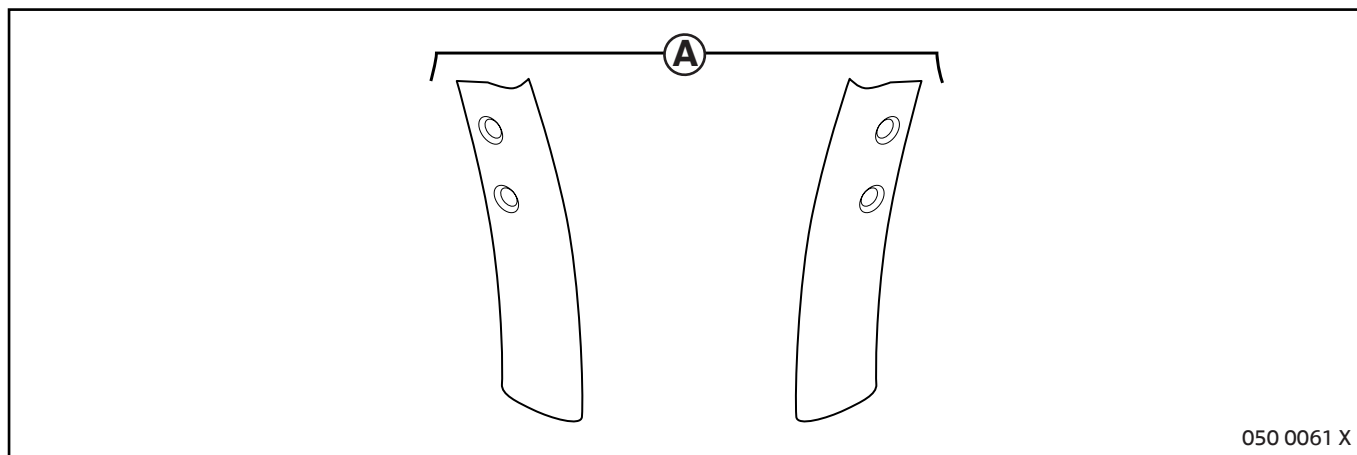
	Left-hand drive	Right-hand drive
A	51 45 0 391 760	51 45 0 391 759
B	51 45 0 406 308	51 45 0 406 312
C	51 45 0 406 309	51 45 0 406 313
D	51 45 0 406 310	51 45 0 406 314

Installation time according to TIS.

Preparatory work

	TIS No.
Remove instrument on steering column	62 11 400
Remove storage compartment in instrument panel trim (passenger's side)	51 16 390
Remove upper section of instrument panel trim	51 45 050
Remove airbag cover on passenger's side	51 45 055
Remove trim cover on driver's side	--
Remove trim cover for instrument panel (driver's side)	51 45 066
Remove trim cover for instrument panel (passenger's side)	51 45 068
Remove trim cover for instrument panel (centre)	51 45 060

1.3 Carbon downtubes



MINI retrofit kit - Carbon downtubes

Part number:

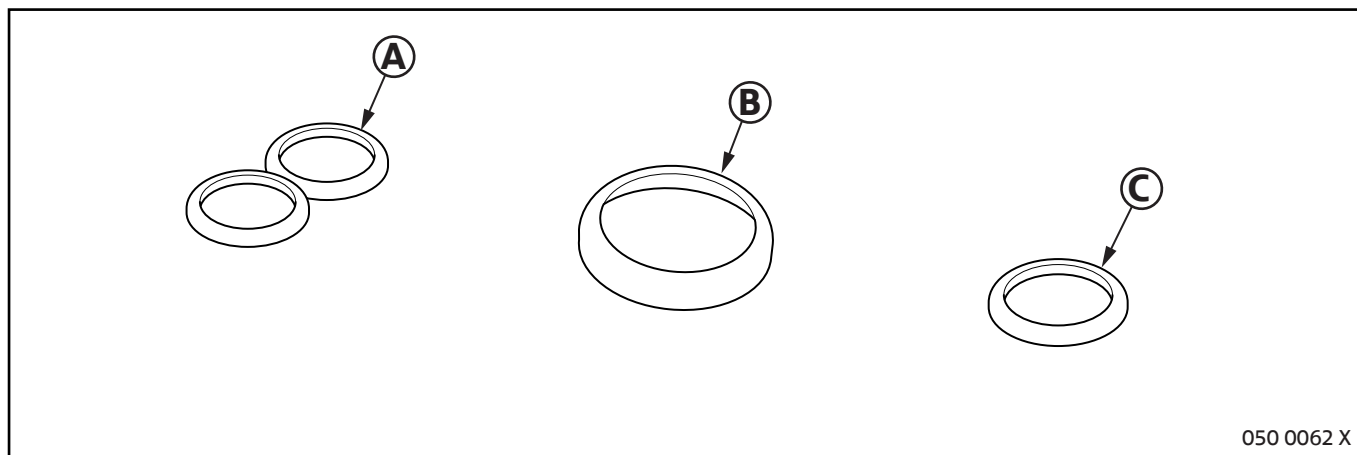
A | 51 45 0 398 865

Installation time according to TIS.

Preliminary work according to TIS.

	TIS No.
Remove front centre console	51 16 200

1.4 Carbon trim rings



MINI retrofit kit - Carbon trim rings

Part number:

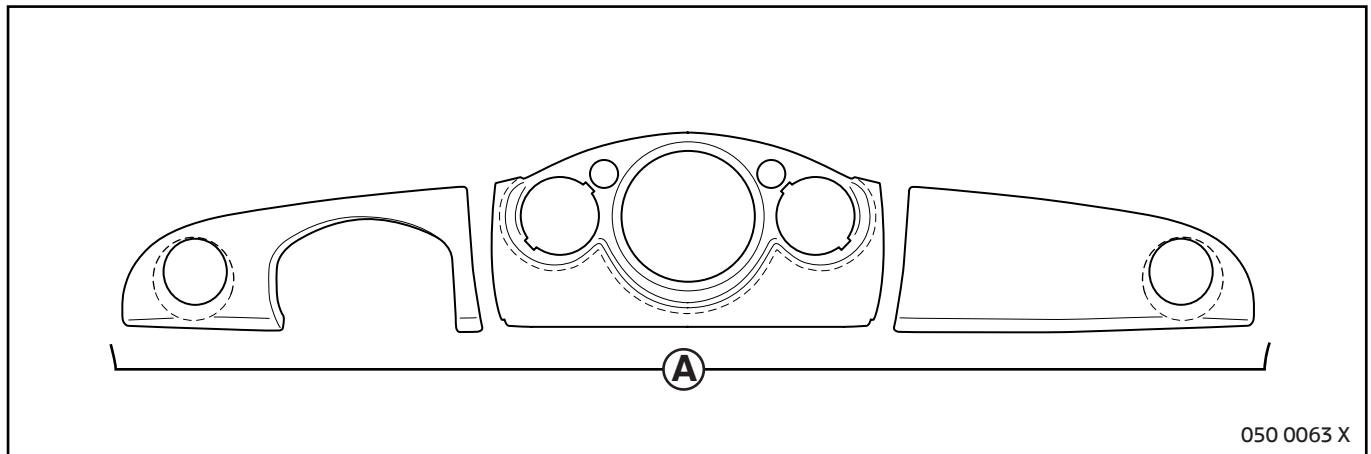
A	51 16 0 406 346
B	51 16 0 406 347
C	51 16 0 406 348

Installation time according to TIS.

Preliminary work according to TIS.

	TIS No.
Remove trim cover on preselector lever	51 16 210

2.1 Leather instrument panel, vehicles from 07/04



050 0063 X

MINI retrofit kit - Leather trim for instrument panel, vehicles from 07/04

Part number, black seam:

	Left-hand drive	Right-hand drive
A	51 45 0 404 442	51 45 0 404 881

Part number, coloured seam:

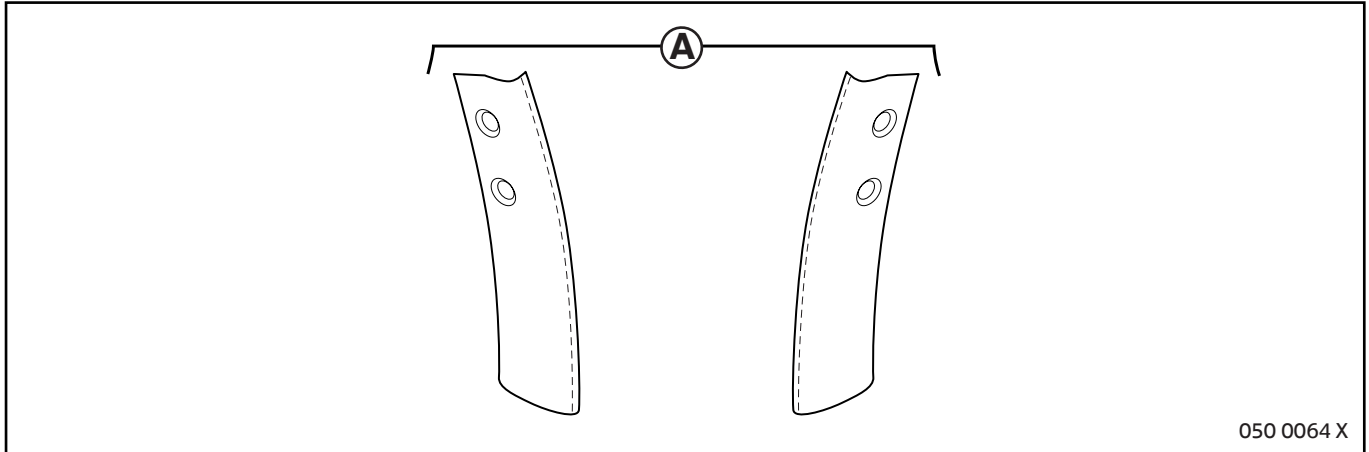
	Left-hand drive	Right-hand drive
A	51 45 0 404 445 + Code	51 45 0 404 882 + Code
Code	<ul style="list-style-type: none"> a panther black b chilli red c lapis blue d green e gray f white g yellow h brown i beige 	

Installation time according to TIS.

Preparatory work

	TIS No.
Remove instrument on steering column	62 11 400
Remove storage compartment in instrument panel trim (passenger's side)	51 16 390
Remove upper section of instrument panel trim	51 45 050
Remove airbag cover on passenger's side	51 45 055
Remove trim cover on driver's side	--
Remove trim cover for instrument panel (driver's side)	51 45 066
Remove trim cover for instrument panel (passenger's side)	51 45 068
Remove trim cover for instrument panel (centre)	51 45 060

2.2 Leather downtubes



050 0064 X

MINI retrofit kit - Leather downtubes

Part number, black seam:

A	51 45 0 404 443
----------	-----------------

Part number, coloured seam:

A	51 45 0 404 446 + Code
----------	------------------------

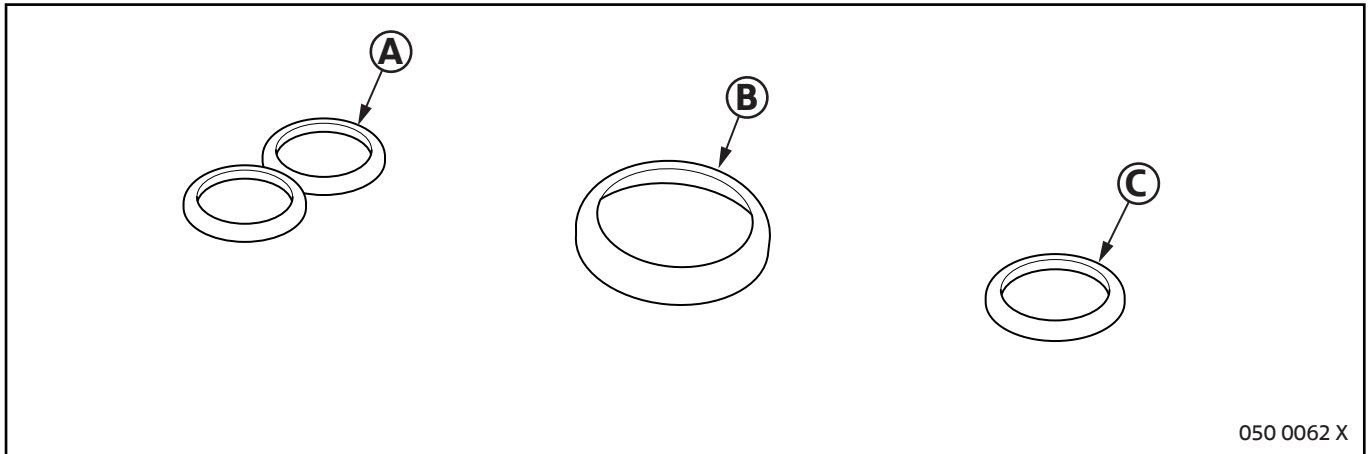
Code	a panther black
	b chilli red
	c lapis blue
	d green
	e gray
	f white
	g yellow
	h brown
	i beige

Installation time according to TIS.

Preliminary work according to TIS.

	TIS No.
Remove front centre console	51 16 200

2.3 Leather trim rings



MINI retrofit kit - Leather trim rings

Part number:

A	51 16 0 411 135
B	51 16 0 411 136
C	51 16 0 411 137

Installation time according to TIS.

Preliminary work according to TIS.

	TIS No.
Remove trim cover on preselector lever	51 16 210